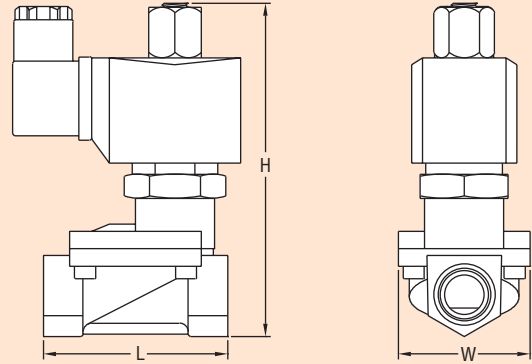




Series
SSV-B

Brass Solenoid Valves — 2-Way Guided NO

Compact Design, Immune to Mounting Orientation



Model	L in [mm]	H in [mm]	W in [mm]	Weight lb [kg] SSV-B
SSV-B1NX	1-5/8 [41]	3-15/32 [88]	1-9/64 [29]	0.88 [0.40]
SSV-B2NX	1-5/8 [41]	3-17/64 [83]	1-9/64 [29]	0.86 [0.39]
SSV-B3NX	2-19/32 [66]	4-57/64 [124]	1-57/64 [48]	1.98 [0.90]
SSV-B4NX	2-19/32 [66]	4-57/64 [124]	1-57/64 [48]	1.98 [0.90]
SSV-B5NX	2-61/64 [75]	5-1/8 [130]	2-9/32 [58]	2.42 [1.10]
SSV-B6NX	3-25/32 [96]	5-5/8 [143]	2-3/4 [70]	3.52 [1.60]
SSV-B7NX	5-5/32 [131]	6-7/32 [158]	3-25/32 [96]	6.60 [3.00]
SSV-B8NX	5-5/32 [131]	6-7/32 [158]	3-25/32 [96]	6.16 [2.80]
SSV-B9NX	6-1/2 [165]	7-3/64 [179]	4-47/64 [120]	5.00 [11.0]

Series SSV-B Solenoid Valves are compact, general-service, two-way guide type solenoid valves for air, gas, water, and other liquid applications. They are available in brass with a normally open design and can be oriented in any position. The solenoid enclosure provides protection against dust while also protecting against seepage of oil and non-corrosive coolants. The Series SSV-B valves come assembled with an NBR seal having a maximum process temperature of 176°F (80°C). The series offers a wide range of valve sizes and flow ranges with connection sizes from 1/8" to 2" NPT and orifices from 3 mm to 50 mm.

SPECIFICATIONS

Service: Compatible gases and liquids.

Line Size: 1/8 to 2" NPT.

End Connections: Female NPT.

Operating Pressure:

1/8 to 1/4": 0 psi (0 bar) to 87 psi (6 bar);

3/8 to 2": 7.3 psi (0.5 bar) to 116 psi (8 bar).

Pressure Limit: 174 psi (12 bar).

Wetted Material: Body: Brass; Spring: 304 SS; Seal: NBR.

Temperature Limits:

Process: 176°F (80°C);

Ambient: 32 to 149°F (0 to 65°C).

Power Requirements: Standard: 110 VAC; Optional: 220 VAC, 24 VDC consult factory. See Series SRC Solenoid Coils.

Power Consumption: See table.

Enclosure Rating: NEMA 13 (IP54).

Electrical Connection: DIN connection.

Other Materials: Nylon.

Mounting Orientation: Any position, best if solenoid vertically above valve.

Weight: See table above.

Type of Operation: NO.

Agency Approvals: CE.

Voltage	50 Hz (VA)		60 Hz (VA)		DC (W)
	Inrush	Holding	Inrush	Holding	
220 VAC	82	33	82	28	-
110 VAC	82	33	82	28	-
24 VDC	-	-	-	-	32

Model	Connection, NPT	Orifice in (mm)	CV Value	Voltage
SSV-B1N1	1/8"	0.12 (3)	0.25	110 VAC
SSV-B2N1	1/4"	0.12 (3)	0.25	110 VAC
SSV-B3N1	3/8"	0.51 (13)	4.5	110 VAC
SSV-B4N1	1/2"	0.51 (13)	4.5	110 VAC
SSV-B5N1	3/4"	0.79 (20)	7.6	110 VAC
SSV-B6N1	1"	0.98 (25)	12	110 VAC
SSV-B7N1	1-1/4"	1.38 (35)	22	110 VAC
SSV-B8N1	1-1/2"	1.57 (40)	30	110 VAC
SSV-B9N1	2"	1.97 (50)	48	110 VAC

VALVES

Valves, Solenoid