



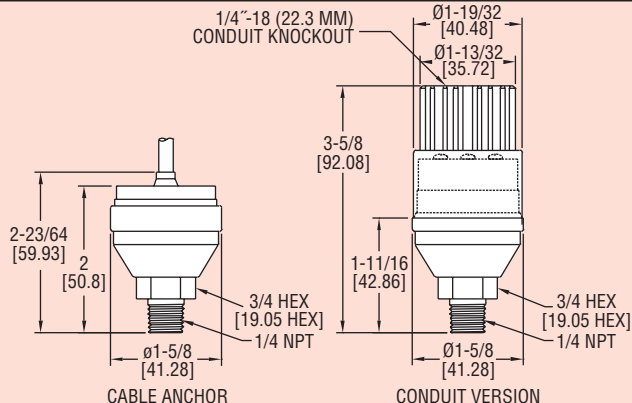
Series  
673

# Pressure Transmitter

±0.25% Full Span Accuracy, 4-20 mA Signal, Ranges to 1000 psi



Conduit Version



The low cost Series 673 Pressure Transmitter is a fixed range transmitter designed for harsh environments and suitable for high shock and vibration applications. Constructed of stainless steel, the Series 673 provides a 4 to 20 mA output signal with 0.25% accuracy. Use the Series 673 in industrial OEM equipment, hydraulic systems, HVAC equipment, industrial engines and compressor control.

Model	Range psi	Model*	Range psi
673-1	0-1	673-1C	0-1
673-2	0-2	673-2C	0-2
673-3	0-5	673-3C	0-5
673-4	0-10	673-4C	0-10
673-5	0-25	673-5C	0-25
673-6	0-50	673-6C	0-50
673-7	0-100	673-7C	0-100
673-8	0-200	673-8C	0-200
673-9	0-500	673-9C	0-500
673-10	0-1000	673-10C	0-1000
673-14	-14.7-100	673-14C	-14.7-100

\* The model numbers followed by a "C" represent the conduit version, which is hand tightened to ensure proper electrical seal.

## SPECIFICATIONS

**Service:** Liquid, gas, or vapor.

**Wetted Materials:** 17-4 PH SS.

**Accuracy:** ±0.25% FS (RSS),

(includes non-linearity, hysteresis and non-repeatability).

**Temperature Limits:** -40 to 185°F (-40 to 85°C).

**Compensated Temperature Limits:** -40 to 176°F (-40 to 80°C).

**Pressure Limits:** 2 x max range.

**Thermal Errors:** Zero: ±3.6% FS/100°F(100°C); Span: ±2.7% FS/100°F(100°C).

**Power Requirements:** 9 to 30 VDC.

**Output:** 4 to 20 mA, 2-wire.

## OPTION

For NIST traceable calibration certificate, use order code NISTCAL-PT1.

**Zero & Span Adjustment:** Fixed.

**Response Time:** 5 ms.

**Load Resistance:** 0 to 800Ω.

**Stability:** 0.5% FS/year.

**Shock:** 200 g.

**Vibration:** 20 g.

**Electrical Connections:** 2 ft (61 cm) multiconductor cable.

**Conduit Connection:** 1/4"-18 (22.3 mm) knockout.

**Enclosure:** Stainless steel and Valox.

**Weight:** 2.3 oz (65 g).

**Agency Approvals:** CE.