



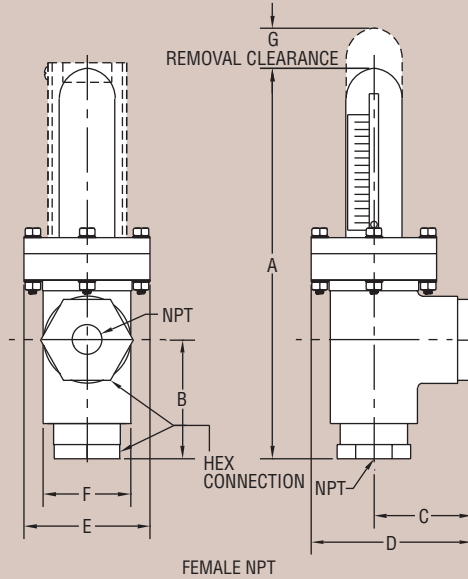
Series
PVF
&
CPF

PVC and CPVC Flowmeters

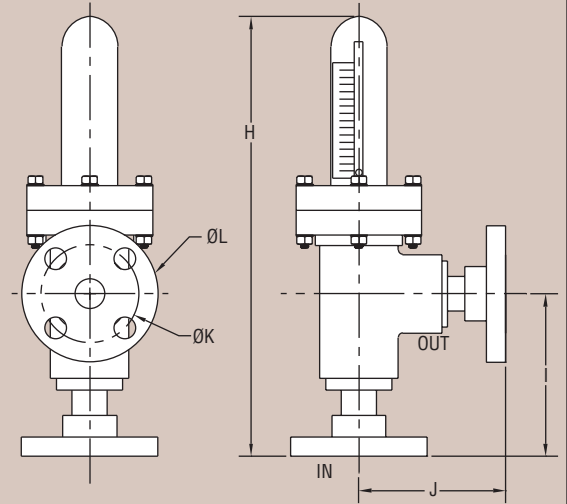
Perfect for Compatible Acids, Caustics and D.I. Water



PVF



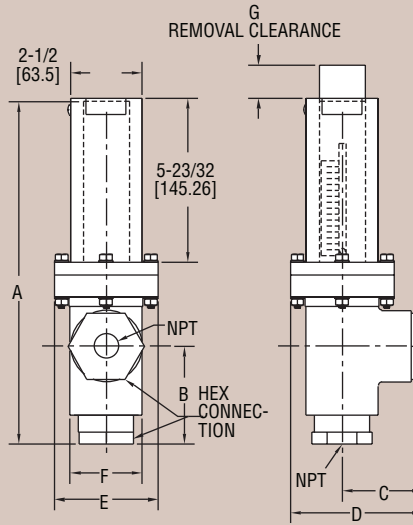
FEMALE NPT



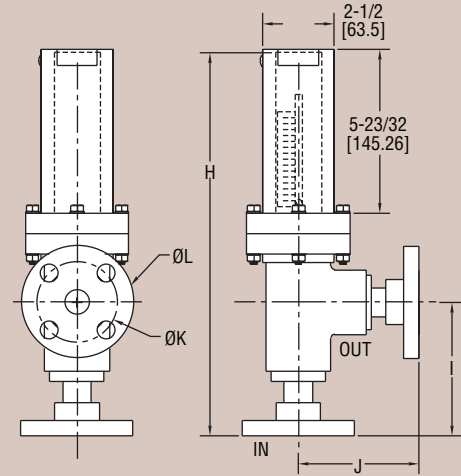
FLANGE VERSION



CPF



FEMALE NPT



FLANGE VERSION

Standard (NPT)

| Range | NPT | A | B | C | D | E | F | G |
|-------|--------|----------|----------|----------|----------|----------|----------|--------|
| 00/10 | 3/4" | 11-1/32 | 3-25/64 | 2-53/64 | 4-43/64 | 3-39/64 | 2-35/64 | 3 |
| 29/40 | | [280.19] | [86.12] | [71.83] | [118.67] | [91.68] | [64.69] | [76.2] |
| 11/17 | 1-1/2" | 16-15/16 | 4-1/4 | 4 | 6-29/64 | 5-1/32 | 3-29/64 | 5 |
| 41/51 | | [430.21] | [107.95] | [101.6] | [163.91] | [127.79] | [87.71] | [127] |
| 18/22 | 3" | 24-11/32 | 7-29/32 | 7-29/32 | 11-19/32 | 5-1/32 | 4-5/16 | 5 |
| 52/56 | | [618.27] | [200.66] | [200.66] | [294.63] | [127.79] | [109.22] | [127] |
| 23/28 | 4" | 26-43/64 | 9-13/16 | 9-13/16 | 14-9/32 | 5-7/16 | 5-7/16 | 5 |
| 57/62 | | [728.20] | [248.66] | [248.66] | [362.96] | [138.17] | [138.17] | [127] |

Optional Flange

| Option | Range | Flange | H | I | J | K | L | # of Bolt Holes | Flange Opening Diameter |
|--------|----------------|--------|----------------------|---------------------|---------------------|------------------|------------------|-----------------|-------------------------|
| F1 | 00/10 29/40 | 3/4" | 12-1/4 [311.65] | 4-5/8 [117.6] | 4-1/16 [103.38] | 2-3/4 [69.85] | 3-7/8 [98.55] | 4 | (1-1/8") |
| F2 | 11/17 41/51 | 1-1/2" | 18-5/8 [473.19] | 5-15/16 [151.13] | 5-11/16 [144.78] | 3-7/8 [98.55] | 5 [127] | 4 | (2") |
| F3 | 18/22 52/56 | 3" | 22-35/64 [572.64] | 6-7/64 [155.18] | 6-7/64 [155.18] | 6 [152.4] | 7-1/2 [190.5] | 4 | (3-1/2") |
| F4 | 23/28 57/62 | 4" | 26-3/8 [669.86] | 7-1/2 [190.5] | 7-1/2 [190.5] | 7-1/2 [190.5] | 9 [228.6] | 8 | (4-1/2") |

FLOW

Flowmeters, In-Line

The Series PVF & CPF Flowmeters are heavy bodied meters for corrosives and high purity fluids. They are economically priced meters ideal for acids or de-ionized water making them suited for water & wastewater treatment facilities. The flowmeters are comprised of all plastic wetted components for maximum corrosion resistance. They have a full-scale accuracy of $\pm 2\%$ and can be disassembled quickly without the meter being removed from the pipeline for easy cleaning. The flowmeters are available with 3/4", 1-1/2", 3", and 4" female NPT connections. Optional flange connections are also available.

SPECIFICATIONS

Service: Compatible gases or liquids.
Wetted Materials: PVF: PVC, fluoroelastomer O-rings; CPF: CPVC, Buna-N O-rings.
Temperature Limits: See operating limits chart.
Pressure Limits: See operating limits chart.
Accuracy: $\pm 2\%$ of full-scale.
Repeatability: $\pm 1/2\%$ of indicated flow rate.
Process Connections: 3/4", 1-1/2", 3", and 4" female NPT.
Weight: 3 lb (1.4 kg) for 3/4", 9 lb (4.1 kg) for 1-1/2", 14 lb (6.4 kg) for 3", and 18 lb (8.2) for 4".

Water Service

| Range (GPM Water) | Connection (female NPT) | Model | Model |
|-------------------|-------------------------|--------|--------|
| 0.025-0.54 | 3/4" | PVF-00 | CPF-00 |
| 0.04-0.80 | 3/4" | PVF-01 | CPF-01 |
| 0.06-1.20 | 3/4" | PVF-02 | CPF-02 |
| 0.08-1.64 | 3/4" | PVF-03 | CPF-03 |
| 0.10-2.60 | 3/4" | PVF-04 | CPF-04 |
| 0.15-3.80 | 3/4" | PVF-05 | CPF-05 |
| 0.20-5.40 | 3/4" | PVF-06 | CPF-06 |
| 0.20-7.00 | 3/4" | PVF-07 | CPF-07 |
| 0.20-10.00 | 3/4" | PVF-08 | CPF-08 |
| 0.60-15.00 | 3/4" | PVF-09 | CPF-09 |
| 0.50-20.0 | 3/4" | PVF-10 | CPF-10 |
| 0.50-11.0 | 1-1/2" | PVF-11 | CPF-11 |
| 0.70-15.0 | 1-1/2" | PVF-12 | CPF-12 |
| 1.00-25.0 | 1-1/2" | PVF-13 | CPF-13 |
| 0.50-35.0 | 1-1/2" | PVF-14 | CPF-14 |
| 1.00-50.0 | 1-1/2" | PVF-15 | CPF-15 |
| 2.00-70.0 | 1-1/2" | PVF-16 | CPF-16 |
| 4.00-120 | 1-1/2" | PVF-17 | CPF-17 |
| 2.00-50.0 | 3" | PVF-18 | CPF-18 |
| 4.00-100 | 3" | PVF-19 | CPF-19 |
| 7.00-150 | 3" | PVF-20 | CPF-20 |
| 10.0-200 | 3" | PVF-21 | CPF-21 |
| 15.0-300 | 3" | PVF-22 | CPF-22 |
| 4.00-100 | 4" | PVF-23 | CPF-23 |
| 7.00-150 | 4" | PVF-24 | CPF-24 |
| 10.0-200 | 4" | PVF-25 | CPF-25 |
| 15.0-300 | 4" | PVF-26 | CPF-26 |
| 15.0-400 | 4" | PVF-27 | CPF-27 |
| 20.0-500 | 4" | PVF-28 | CPF-28 |

Note: For optional flange connections contact the factory.

Air Service

| Range (SCFM Air) | Connection (female NPT) | Model | Model |
|------------------|-------------------------|--------|--------|
| 0.30-7.40 | 3/4" | PVF-29 | CPF-29 |
| 0.50-10.2 | 3/4" | PVF-30 | CPF-30 |
| 0.70-14.0 | 3/4" | PVF-31 | CPF-31 |
| 1.00-20.0 | 3/4" | PVF-32 | CPF-32 |
| 1.00-26.0 | 3/4" | PVF-33 | CPF-33 |
| 1.00-35.0 | 3/4" | PVF-34 | CPF-34 |
| 2.00-50.0 | 3/4" | PVF-35 | CPF-35 |
| 3.00-70.0 | 3/4" | PVF-36 | CPF-36 |
| 4.00-85.0 | 3/4" | PVF-37 | CPF-37 |
| 6.00-125 | 3/4" | PVF-38 | CPF-38 |
| 6.00-160 | 3/4" | PVF-39 | CPF-39 |
| 4.00-260 | 3/4" | PVF-40 | CPF-40 |
| 2.0-40.0 | 1-1/2" | PVF-41 | CPF-41 |
| 3.00-70.0 | 1-1/2" | PVF-42 | CPF-42 |
| 4.00-100 | 1-1/2" | PVF-43 | CPF-43 |
| 5.00-140 | 1-1/2" | PVF-44 | CPF-44 |
| 5.00-175 | 1-1/2" | PVF-45 | CPF-45 |
| 6.00-250 | 1-1/2" | PVF-46 | CPF-46 |
| 2.0-310 | 1-1/2" | PVF-47 | CPF-47 |
| 7.50-390 | 1-1/2" | PVF-48 | CPF-48 |
| 10.0-510 | 1-1/2" | PVF-49 | CPF-49 |
| 35.0-750 | 1-1/2" | PVF-50 | CPF-50 |
| 20.0-1000 | 1-1/2" | PVF-51 | CPF-51 |
| 30.0-600 | 3" | PVF-52 | CPF-52 |
| 40.0-1000 | 3" | PVF-53 | CPF-53 |
| 70.0-1750 | 3" | PVF-54 | CPF-54 |
| 100.0-2300 | 3" | PVF-55 | CPF-55 |
| 150.0-3500 | 3" | PVF-56 | CPF-56 |
| 40.0-1000 | 4" | PVF-57 | CPF-57 |
| 70.0-1750 | 4" | PVF-58 | CPF-58 |
| 100.0-2300 | 4" | PVF-59 | CPF-59 |
| 150.0-3500 | 4" | PVF-60 | CPF-60 |
| 150.0-4000 | 4" | PVF-61 | CPF-61 |
| 200.0-5000 | 4" | PVF-62 | CPF-62 |

Operating Limits For Series PVF Flowmeters

| Maximum Non-Shock Working Pressure, psig @ °F (bar @ °C) | | | | | |
|--|-------------|-------------|--------------|--------------|--------------|
| Body Size and Description | 70°F (21°C) | 80°F (26°C) | 100°F (37°C) | 120°F (48°C) | 140°F (60°C) |
| 3/4" PVC-NPT connection | 250 (17) | 255 (15) | 150 (10) | 90 (6) | 50 (3) |
| 1-1/2" PVC-NPT connection | 170 (11) | 150 (10) | 105 (7) | 65 (4) | 40 (2) |
| 3" and 4" PVC-NPT connection | 160 (11) | 150 (10) | 105 (7) | 65 (4) | 40 (2) |
| 3/4" PVC-Flange connection | 150 (10) | 150 (10) | 150 (10) | 65 (4) | 50 (3) |
| 1-1/2" PVC-Flange connection | 150 (10) | 150 (10) | 105 (7) | 65 (4) | 40 (2) |
| 3" and 4" PVC-Flange connection | 150 (10) | 150 (10) | 105 (7) | 65 (4) | 40 (2) |

Operating Limits For Series CPF Flowmeters

| Maximum Non-Shock Working Pressure, psig @ °F (bar @ °C) | | | | | | | | |
|--|-------------|-------------|--------------|--------------|--------------|--------------|--------------|--------------|
| Body Size and Description | 70°F (21°C) | 80°F (26°C) | 100°F (37°C) | 120°F (48°C) | 140°F (60°C) | 160°F (71°C) | 180°F (82°C) | 210°F (98°C) |
| 3/4" CPVC-NPT connection | 270 (19) | 270 (19) | 250 (17) | 200 (10) | 150 (10) | 130 (9) | 80 (6) | 50 (3) |
| 1-1/2" CPVC-NPT connection | 180 (12) | 180 (12) | 170 (11) | 145 (10) | 115 (8) | 85 (6) | 50 (3) | 30 (2) |
| 3" and 4" CPVC-NPT connection | 160 (11) | 160 (11) | 140 (10) | 125 (9) | 105 (7) | 75 (5) | 50 (3) | 30 (2) |
| 3/4" CPVC-Flange connection | 150 (10) | 150 (10) | 150 (10) | 135 (9) | 110 (8) | 90 (6) | 70 (5) | 40 (2) |
| 1-1/2" CPVC-Flange connection | 150 (10) | 150 (10) | 150 (10) | 135 (9) | 110 (8) | 90 (6) | 70 (5) | 40 (2) |
| 3" and 4" CPVC-Flange connection | 150 (10) | 150 (10) | 150 (10) | 135 (9) | 110 (8) | 90 (6) | 70 (5) | 40 (2) |

