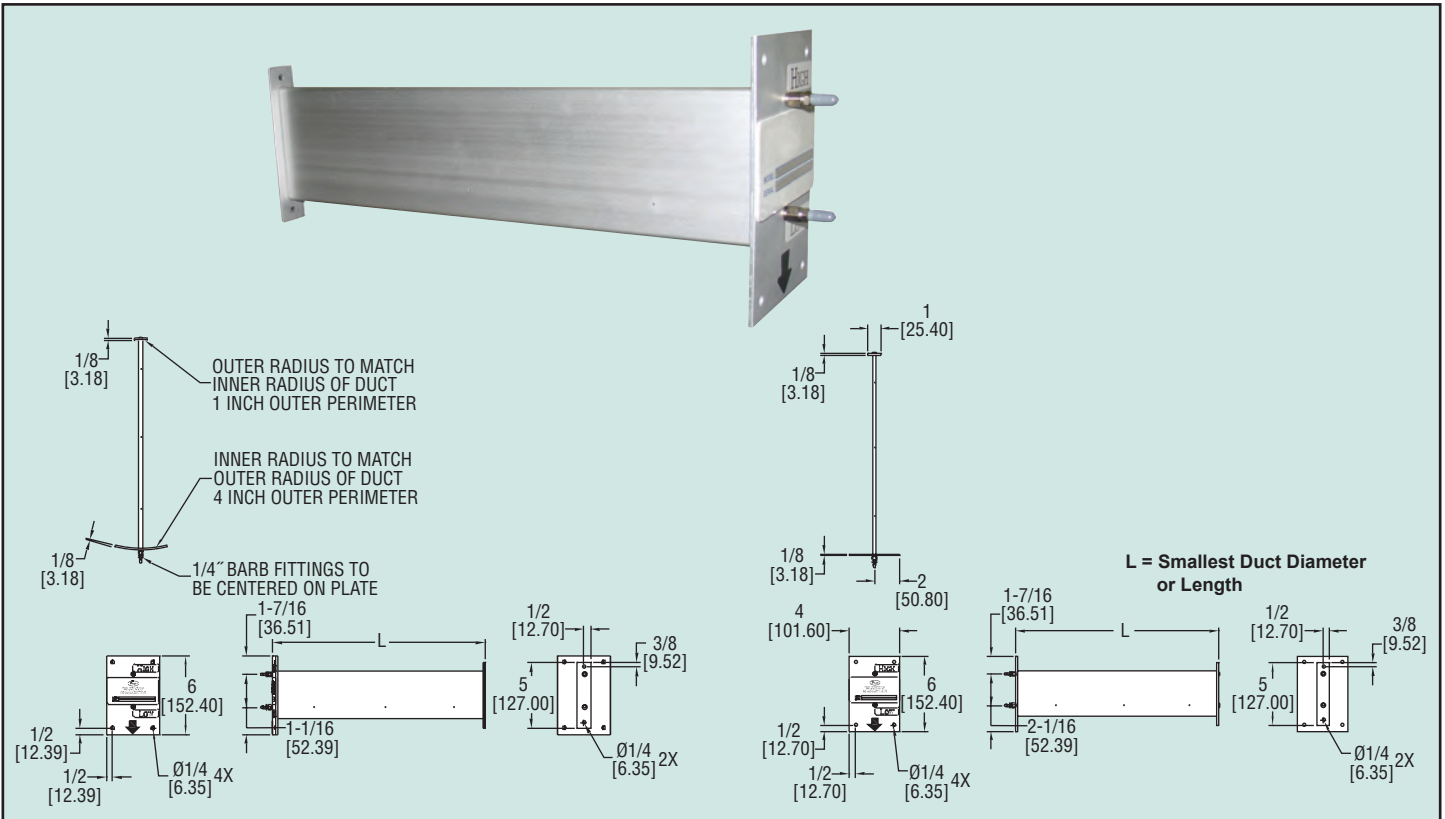




Series  
DAFM

# Duct Air Flow Measuring Probe

Lightweight, Durable, & Easy to Install



The Model DAFM Duct Air Flow Measuring Probe uses evenly distributed total and static pressure measuring points to deliver an accurate measurement of flow in a duct. The Air Flow Measuring Probe can be completely installed from outside of the duct making it very easy to install. With its lightweight and durable construction in addition to its ease of installation, this product lends itself to being used in the HVAC industry. These air flow measuring probes may be ordered for either round or rectangular ducts.

In order to ensure accurate measurements you must determine the number of probes needed for your size duct. If the duct is rectangular, then consult the chart to determine appropriate quantity of probes.

If the duct is round, it is only necessary to purchase two probes for any size of duct and mount them perpendicular to each other.

| Short Duct Dimension | <12" | 12" - 23" | 24" - 35" | 36" - 59" | 60" - 89" | >89" |
|----------------------|------|-----------|-----------|-----------|-----------|------|
| Number of Probes     | 1    | 2         | 3         | 4         | 5         | 6    |

## SPECIFICATIONS

**Wetted Materials:** Aluminum with clear anodized finish.

**Accuracy:** ±2% (Note: Field calibration may be required).

**Temperature Limit:** 400°F (204°C).

**Minimum Design Flow:** 400 fpm (2.03 m/sec).

**Maximum Design Flow:** 12,000 fpm (60.96 m/sec).

**Process Connections:** 1/4" barb.

**Straight Run Requirements:** 5 diameters or longest side dimensions.

| Model    | Duct Shape  | Smallest Duct Diameter Or Length (L) |
|----------|-------------|--------------------------------------|
| DAFM-000 | Round       | 6" (15.24 cm)                        |
| DAFM-001 | Round       | 8" (20.32 cm)                        |
| DAFM-002 | Round       | 10" (25.4 cm)                        |
| DAFM-003 | Round       | 12" (30.48 cm)                       |
| DAFM-004 | Round       | 14" (35.56 cm)                       |
| DAFM-005 | Round       | 16" (40.64 cm)                       |
| DAFM-006 | Round       | 18" (45.72 cm)                       |
| DAFM-007 | Round       | 20" (50.8 cm)                        |
| DAFM-008 | Round       | 22" (55.88 cm)                       |
| DAFM-009 | Round       | 24" (60.96 cm)                       |
| DAFM-100 | Rectangular | 6" (15.24 cm)                        |
| DAFM-101 | Rectangular | 8" (20.32 cm)                        |
| DAFM-102 | Rectangular | 10" (25.4 cm)                        |
| DAFM-103 | Rectangular | 12" (30.48 cm)                       |
| DAFM-104 | Rectangular | 14" (35.56 cm)                       |
| DAFM-105 | Rectangular | 16" (40.64 cm)                       |
| DAFM-106 | Rectangular | 18" (45.72 cm)                       |
| DAFM-107 | Rectangular | 20" (50.8 cm)                        |
| DAFM-108 | Rectangular | 22" (55.88 cm)                       |
| DAFM-109 | Rectangular | 24" (60.96 cm)                       |

For larger sizes up to 96" (243.84 cm), please contact factory.

AIR QUALITY

Flow Sensors