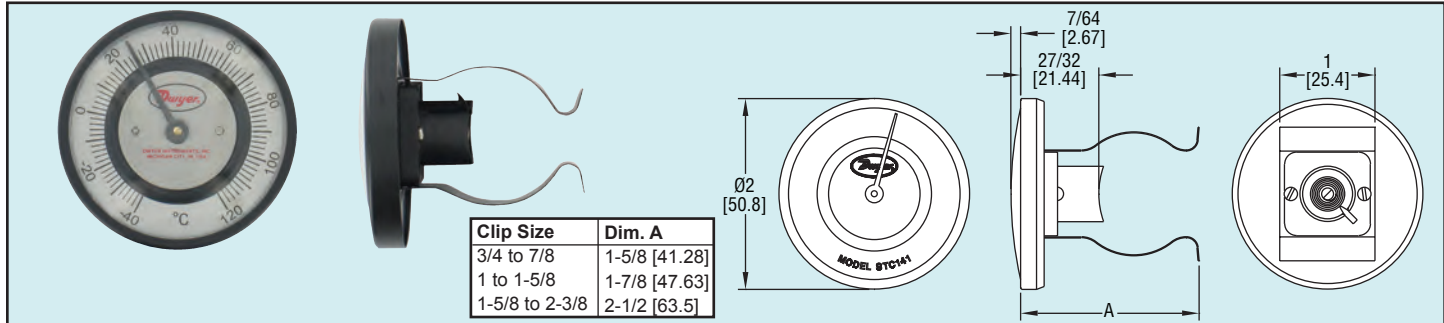




Series
STC

Pipe-Mount Bimetal Surface Thermometer

Fits Pipe Sizes from 3/4" to 2-3/8", Clip-on Mount



Clip Size	Dim. A
3/4 to 7/8	1-5/8 [41.28]
1 to 1-5/8	1-7/8 [47.63]
1-5/8 to 2-3/8	2-1/2 [63.5]

The Series STC Pipe-Mount Bimetal Surface Thermometers are designed to accurately measure the surface temperature of 3/4" to 2-3/8" pipe sizes. The STC series is available in three different clip sizes and feature a bimetal spiral spring sensing element that provides quick temperature readings. Pipe mount thermometers are perfect for temporary installations and applications that require non-intrusive temperature measurements.

SPECIFICATIONS

Housing Material: Steel.

Lens: Glass.

Accuracy: ±2%.

Resolution: Less than 4% of scale.

Temperature Limits: Ambient: 14 to 302°F (-10 to 150°C).

Dial Size: 2".

Mounting: Clip.

Weight: 3.4 oz (95 g).

Model	Range	Pipe Size
STC151	-50 to 250°F	3/4" to 7/8"
STC141	0 to 150°F	3/4" to 7/8"
STC161	70 to 370°F	3/4" to 7/8"
STC152	-40 to 120°C	3/4" to 7/8"
STC162	20 to 180°C	3/4" to 7/8"
STC172	20 to 260°C	3/4" to 7/8"
STC351	-50 to 250°F	1" to 1-5/8"
STC341	0 to 150°F	1" to 1-5/8"
STC361	70 to 370°F	1" to 1-5/8"
STC371	70 to 500°F	1" to 1-5/8"
STC372	20 to 260°C	1" to 1-5/8"
STC451	-50 to 250°F	1-5/8" to 2-3/8"
STC441	0 to 150°F	1-5/8" to 2-3/8"
STC461	70 to 370°F	1-5/8" to 2-3/8"
STC462	20 to 180°C	1-5/8" to 2-3/8"
STC472	20 to 260°C	1-5/8" to 2-3/8"

OPTION

For NIST traceable calibration certificate, use order code NISTCAL-TG.