

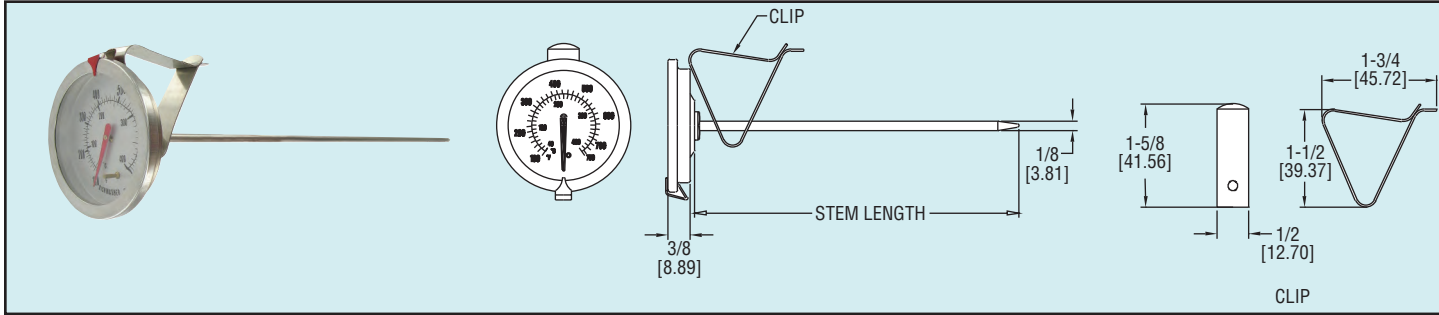


Series  
CBT

# Clip-On Bimetal Thermometer

Fits Any Size Pot, Adjustable Set Point Pointer

TEMPERATURE



The Series CBT Clip-on Thermometers are designed to monitor the temperatures of products while they are cooking. The Series CBT thermometers give accurate readings by clipping onto the side of a pot in order to keep the temperature probe away from the bottom and sides. These thermometers are conveniently available in 11 ranges and two stem lengths to fit various sized pots or kettles. The Series CBT Clip-on Thermometers are constructed of durable SS for years of reliable service. The Series CBT can be used when preparing candies, soups, and deep fried foods.

**SPECIFICATIONS**  
**Wetted Materials:** 304 SS.  
**Housing Material:** Series 300 SS.  
**Lens:** Glass.  
**Accuracy:** ±1%.

**Temperature Limits:** Ambient: 15 to 300°F (-10 to 150°C).  
**Dial Size:** 1-3/4", 2", and 3".  
**Resolution:** 2°.  
**Weight:** 2.3 oz (65 g).

Thermometers,  
Dial

Model	Dial Size	Range*	Stem	Model	Dial Size	Range*	Stem
CBT175041	1-3/4"	-40 to 160°F	5"	CBT25061	2"	50 to 300°F	5"
CBT175051	1-3/4"	0 to 250°F	5"	CBT25071	2"	50 to 500°F	5"
CBT175061	1-3/4"	50 to 300°F	5"	CBT25052	2"	-10 to 110°C	5"
CBT175071	1-3/4"	50 to 500°F	5"	CBT28041	2"	-40 to 160°F	8"
CBT175052	1-3/4"	-10 to 110°C	5"	CBT28051	2"	0 to 250°F	8"
CBT178041	1-3/4"	-40 to 160°F	8"	CBT28061	2"	50 to 300°F	8"
CBT178051	1-3/4"	0 to 250°F	8"	CBT28071	2"	50 to 500°F	8"
CBT178061	1-3/4"	50 to 300°F	8"	CBT28052	2"	-10 to 110°C	8"
CBT178071	1-3/4"	50 to 500°F	8"	CBT38041	3"	-40 to 160°F	8"
CBT178052	1-3/4"	-10 to 110°C	8"	CBT38051	3"	0 to 250°F	8"
CBT25041	2"	-40 to 160°F	5"	CBT38071	3"	50 to 500°F	8"
CBT25051	2"	0 to 250°F	5"	CBT38052	3"	-10 to 110°C	8"

**OPTION**

For NIST traceable calibration certificate, use order code NISTCAL-TG.

\*Dual scales available by changing last digit to D.  
 (Example: CBT17504D)